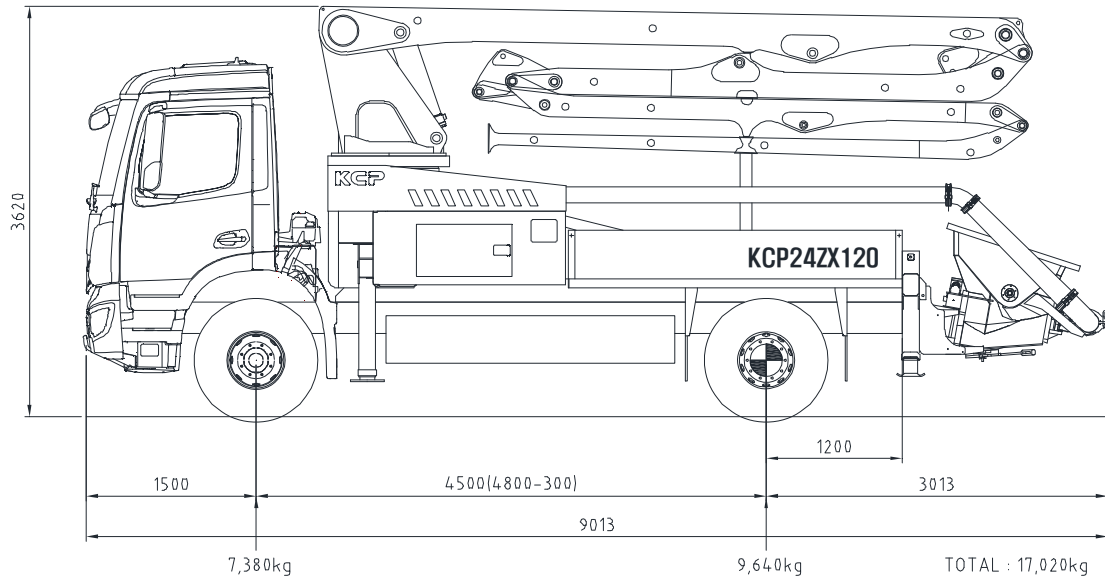


Our Pride ...

# KCP24ZX120

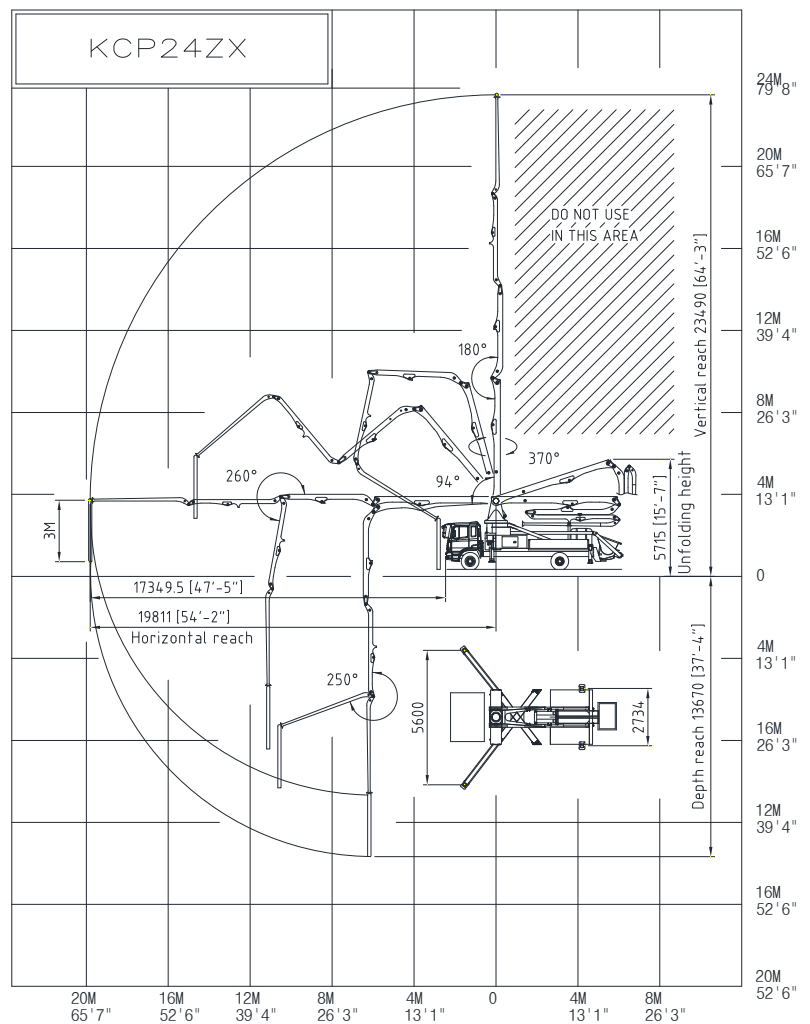


## ▣ Boom specifications

Vertical reach	23.5 m
Horizontal reach	19.8 m
Reach from front of truck	17.3 m
Unfolding height	5.7 m
Section articulation	94°/180°/260°/250°
Rotation	370°
Delivery line	125 mm
Proportional boom	Yes
End hose length	3.0 m
Outrigger spread-front	5.6 m
Outrigger spread-rear	2.7 m
Max.outrigger weight	11,000 kg

- ⊙ Truck specifications : Mercedes Benz 1833
- ⊙ Maximum theoretical values listed.
- ⊙ Photos and drawings are for illustrative purpose only
- ⊙ Right to make technical amendments reserved

## ▣ Working diagram



## ▣ Pump specifications

Maximum output	120 m³/h
Concrete cylinder	Ø230×1400
Stroke per minute	30
Concrete pressure	69 bar
Hopper capacity	0.6 m³
S-tube	Ø200×Ø180
Hydraulic pump	Rexroth – A11VLO190
Cycling system	Hydraulic with manual overrides
Max. aggregate size	40 mm