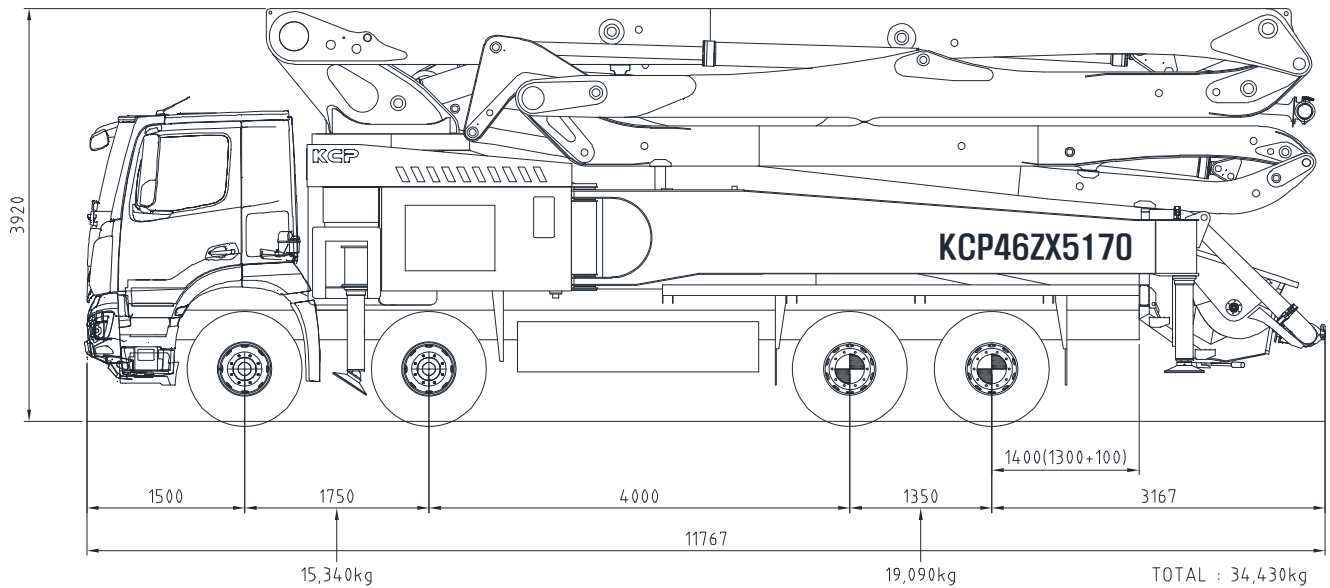


Our Pride ...

KCP46ZX5170

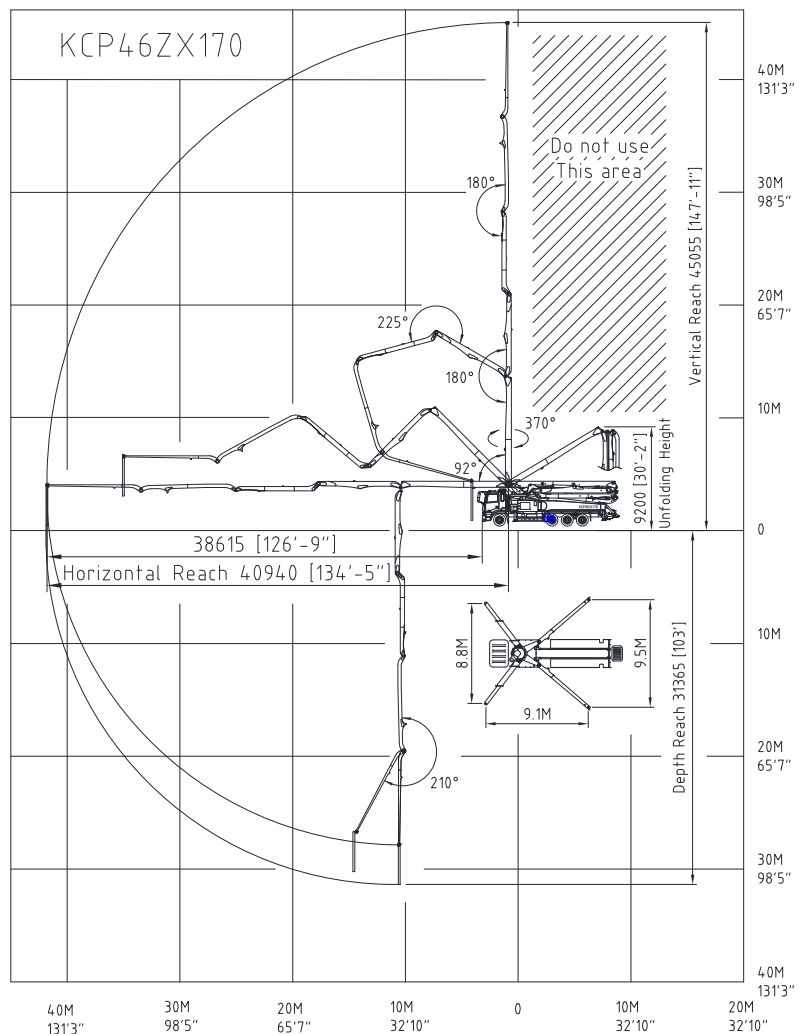


▣ Boom specifications

Vertical reach	45.1 m
Horizontal reach	40.0 m
Reach from front of truck	36.8 m
Unfolding height	9.2 m
Section articulation	92°/180°/225°/180°/210°
Rotation	370°
Delivery line	125 mm
Proportional boom	Yes
End hose length	3.5 m
Outrigger spread-front	8.8 m
Outrigger spread-rear	9.5 m
Max. outrigger weight	29,000kg

- ◎ Truck specifications : Mercedes Benz 4146 (EURO 6)
- ◎ Maximum theoretical values listed.
- ◎ Photos and drawings are for illustrative purpose only
- ◎ Right to make technical amendments reserved

▣ Working diagram



▣ Pump specifications

Maximum output	170 m³/h
Concrete cylinder	Ø230×2100
Stroke per minute	33
Concrete pressure	87 bar
Hopper capacity	0.6 m³
S-tube	Ø200×Ø180
Hydraulic pump	Rexroth A20VLO190
Cycling system	Hydraulic with manual overrides
Max. aggregate size	40 mm