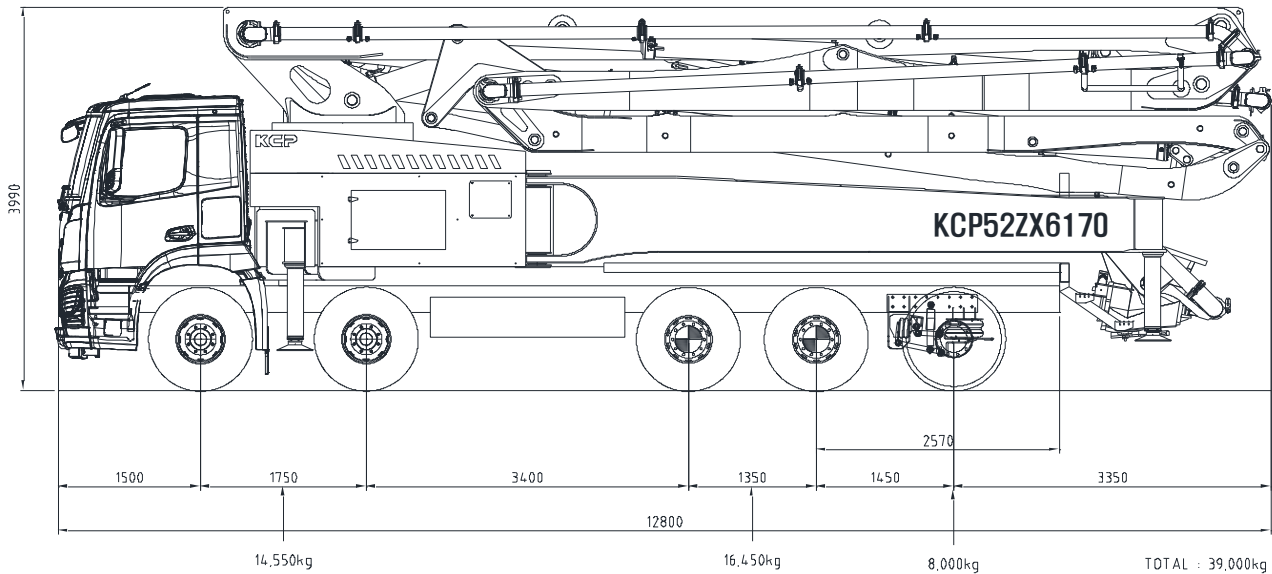


Our Pride ...

KCP52ZX6170



▣ Boom specifications

Vertical reach	51.2 m
Horizontal reach	46 m
Reach from front of truck	43 m
Unfolding height	10.8 m
Section articulation	91°/180°/215°/180°/210°/90°
Rotation	370°
Delivery line	125 mm
Proportional boom	Yes
End hose length	3.5 m
Outrigger spread-front	9.1 m
Outrigger spread-rear	10.6 m
Max.outrigger weight	38,000kg

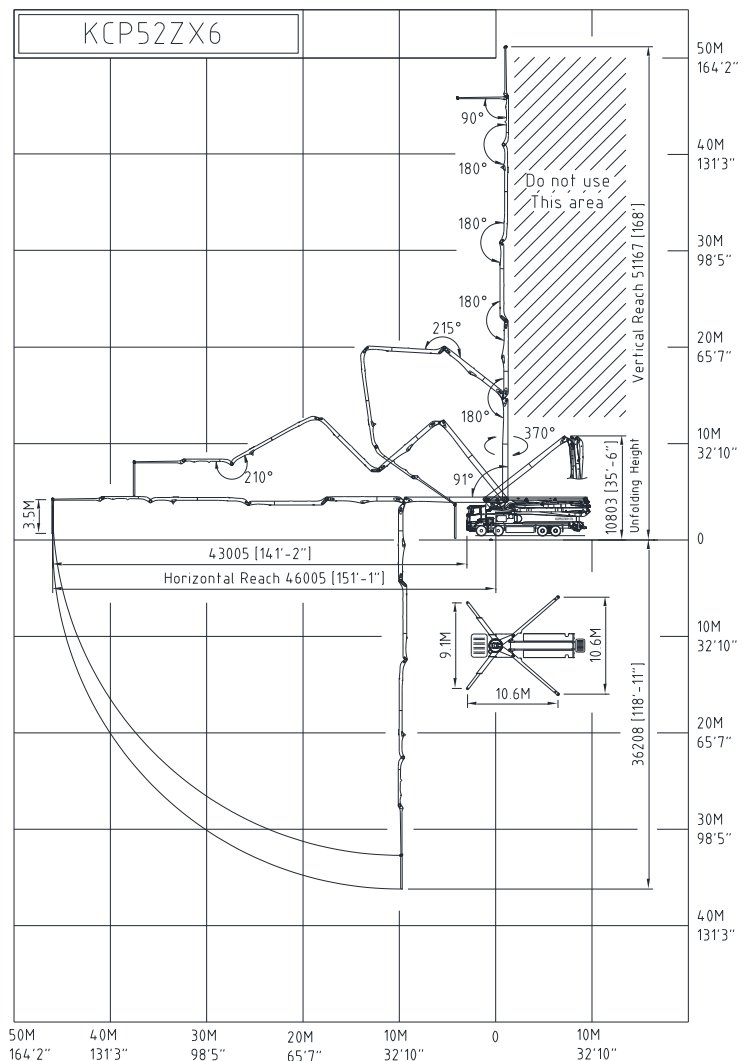
⊙ Truck specifications : Mercedes BENZ 5046 (460PS, EURO6)

⊙ Maximum theoretical values listed.

⊙ Photos and drawings are for illustrative purpose only

⊙ Right to make technical amendments reserved

▣ Working diagram



▣ Pump specifications

Maximum output	170 m³/h
Concrete cylinder	Ø230×2100
Stroke per minute	33
Concrete pressure	87 bar
Hopper capacity	0.6 m³
S-tube	Ø220×Ø180
Hydraulic pump	Rexroth A20VLO190
Cycling system	Hydraulic with manual overrides
Max. aggregate size	40 mm